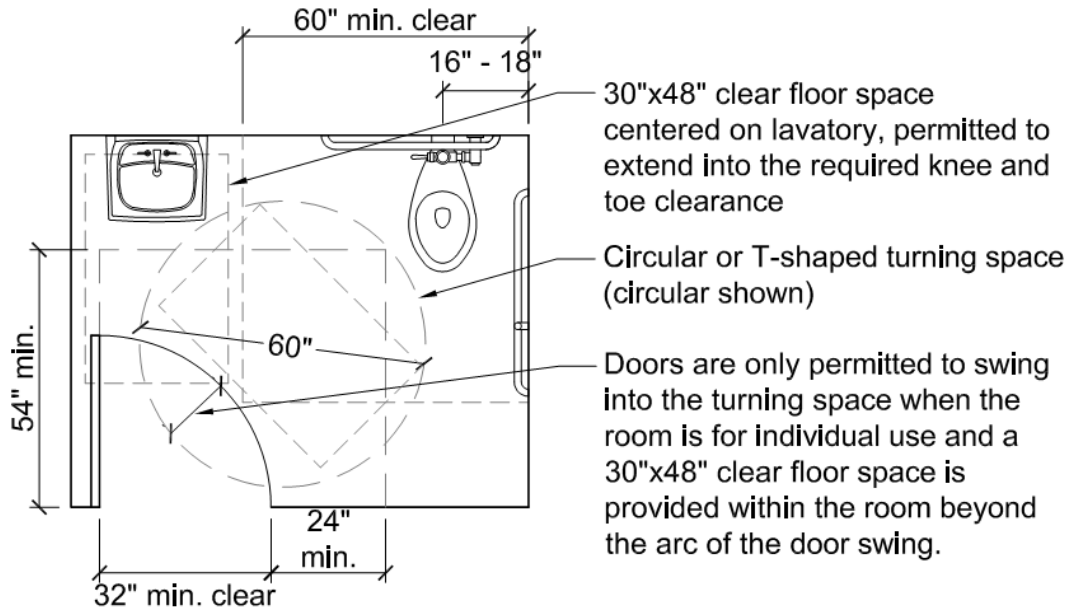


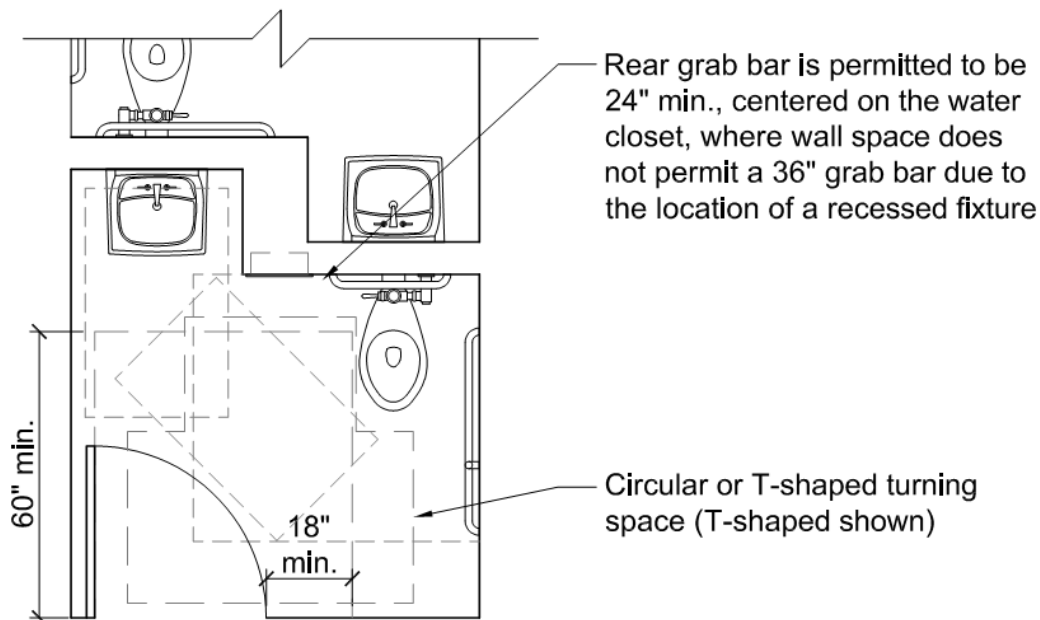


Single User Accessible Restroom

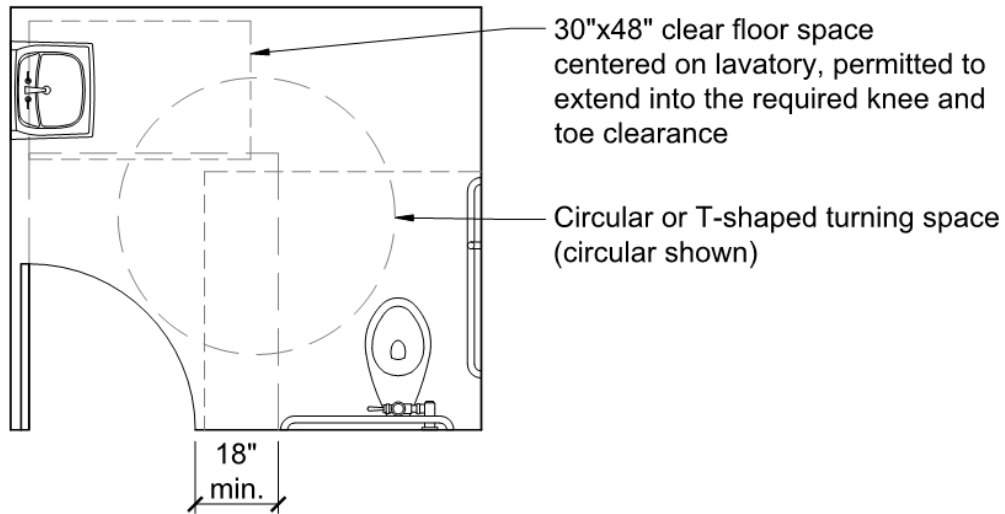
This Tip Sheet reflects code requirements of the 2018 International Building Code (IBC) and ICC A117.1-2009 with Washington State Amendments.



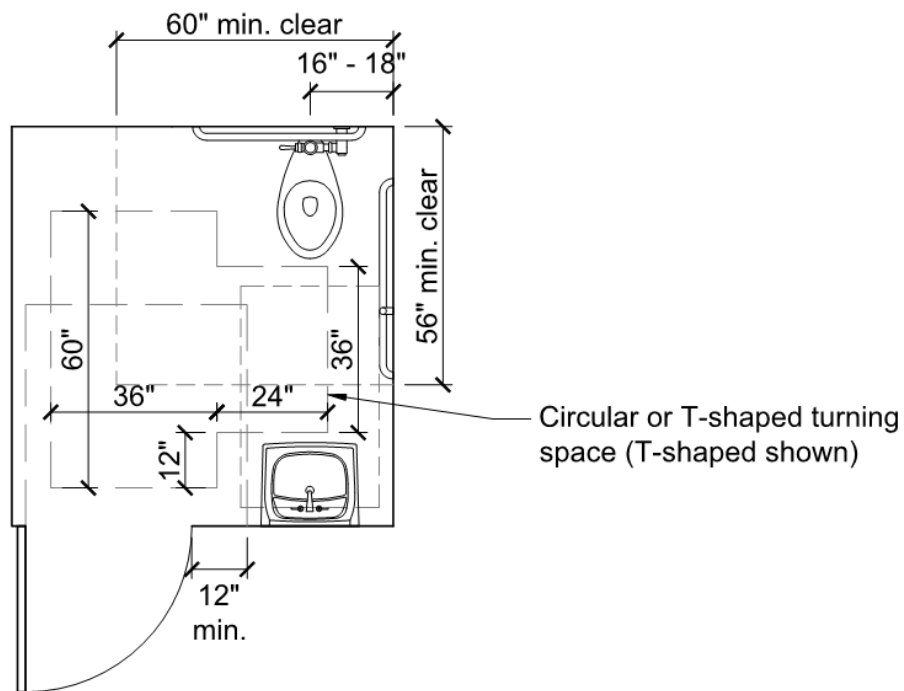
LAYOUT #1



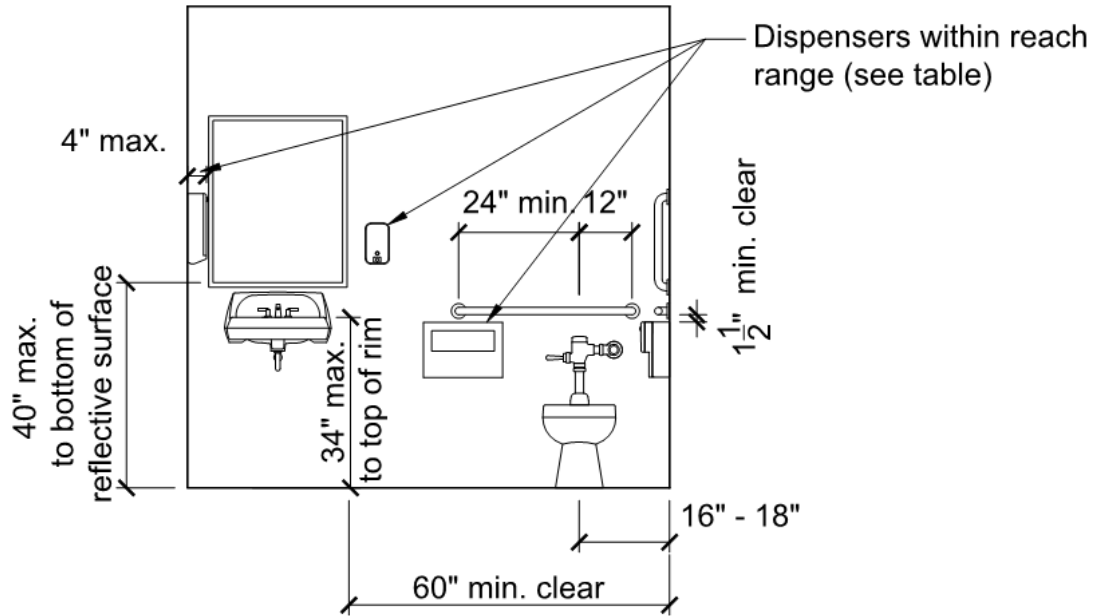
LAYOUT #2



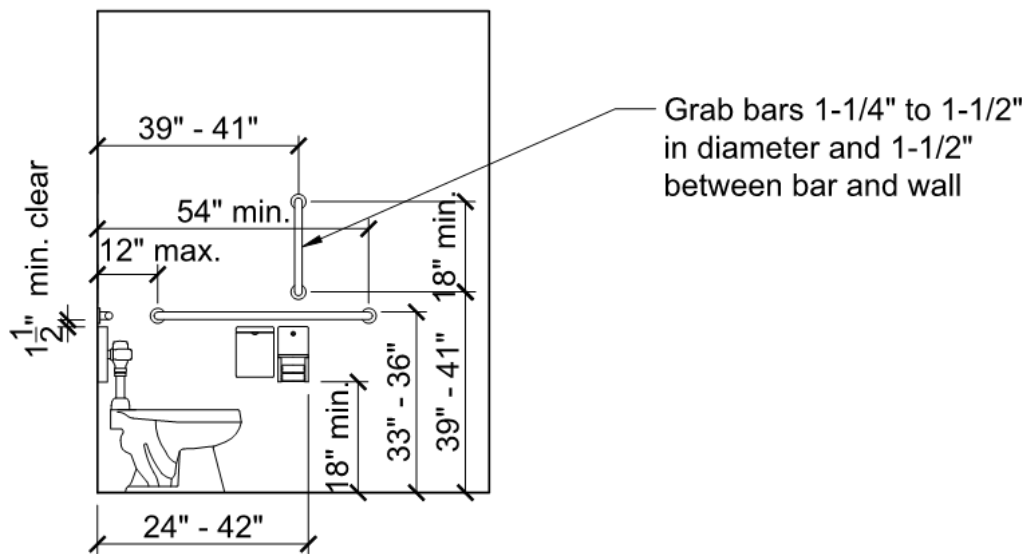
LAYOUT #3



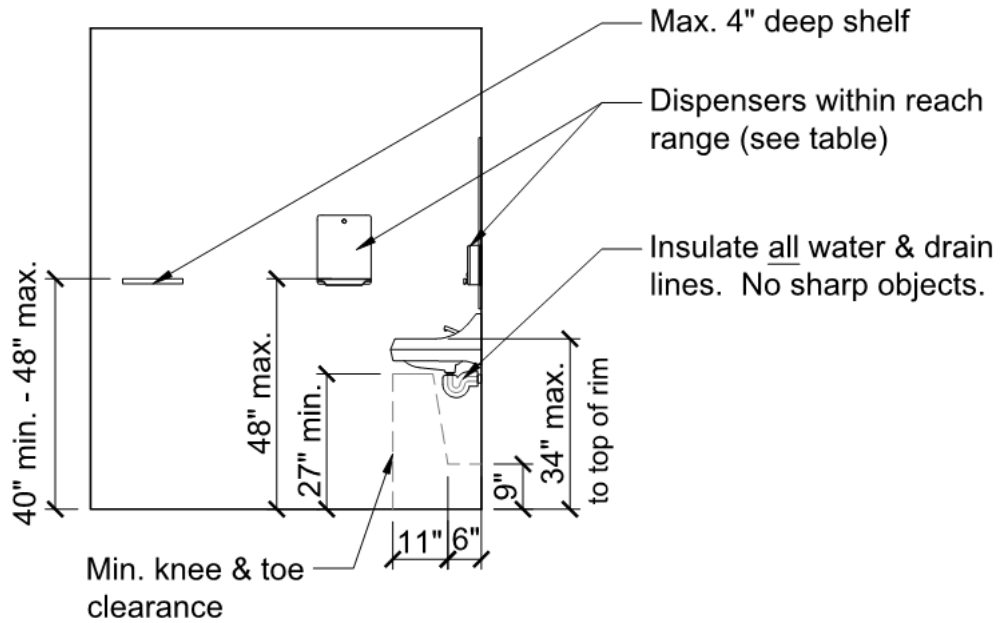
LAYOUT #4



BACK WALL



SIDE WALL



OBSTRUCTION DEPTH, MAX	DISPENSER REACH HT. MAX.
0.5 IN	48 IN
2 IN	46 IN
5 IN	42 IN
6 IN	40 IN
9 IN	36 IN
11 IN	34 IN

**REACH RANGE
TABLE 603.6**

Where dispensers, outlets, or controls are installed above obstructions (lavatories, etc), ensure max depth and height in accordance with ICC/ANSI A117.1 Table 603.6