



Residential Handrails

This tip sheet reflects code requirements of the 2018 International Residential Code (IRC) with Washington State Amendments.

Where Required

Handrails are required on at least one side of each continuous run of treads or flight with four or more risers.

Typical Details

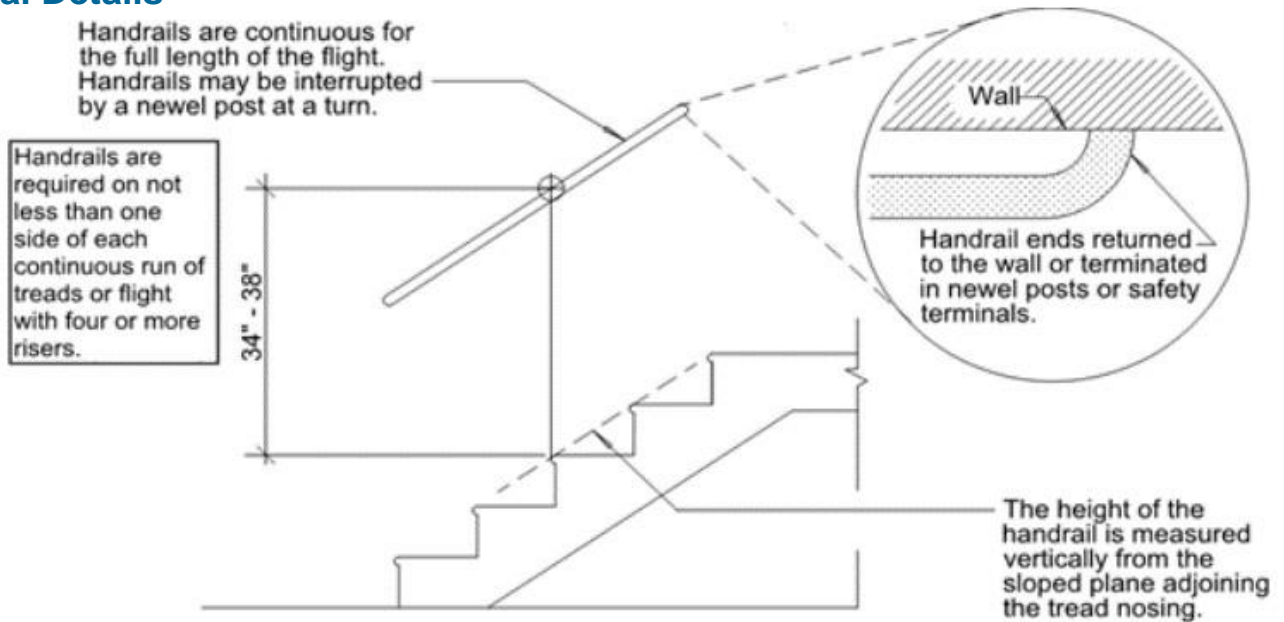


Figure 1: Typical Handrail Elevation (IRC R311.7.8)

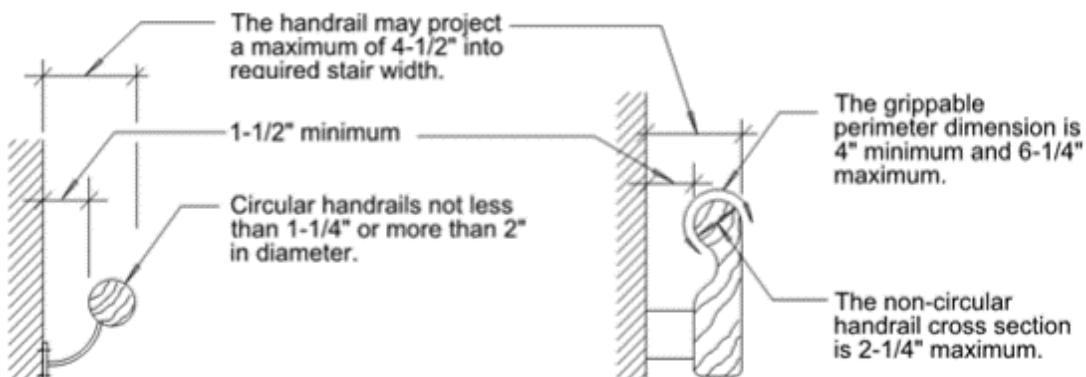


Figure 2: Type I Handrails (IRC R311.7.8.5)

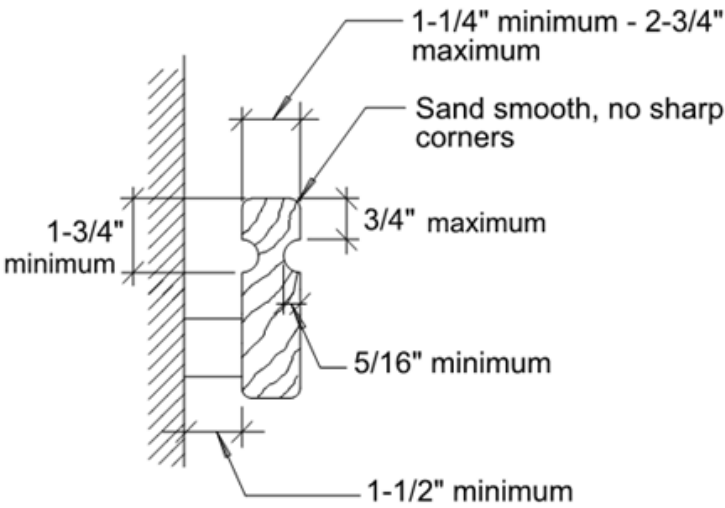


Figure 3: Type II Handrails (At handrails with a perimeter greater than 6-1/4 inches) (IRC R311.7.8.5)

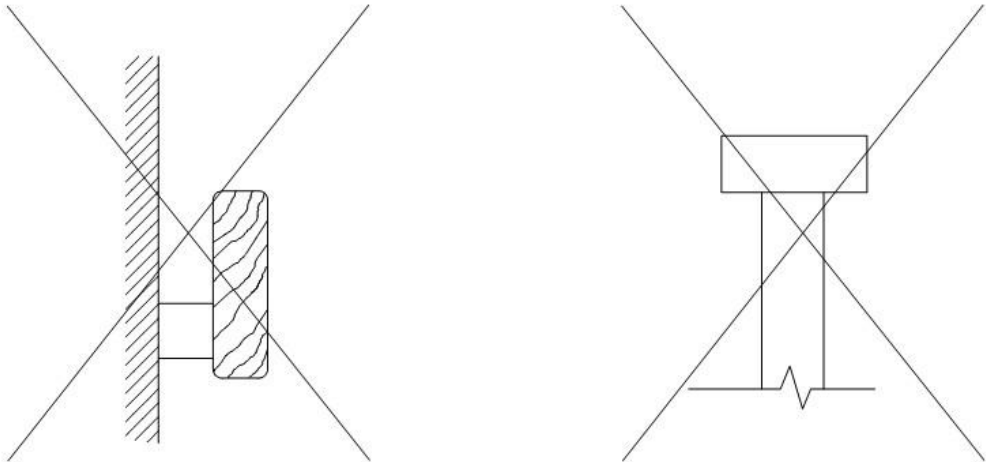


Figure 4: Unacceptable Handrails